

SmartAC1

Linux-Based Hybrid Biometric Access Control and Time & Attendance Terminal with Visible Light Facial Recognition



Proactive Facial Recognition



New Height of Anti-Spoofing



Speedy Recognition



Wide Pose Angle Acceptance



Touchless for Better Hygiene



Compatible with **ZKBio Access**

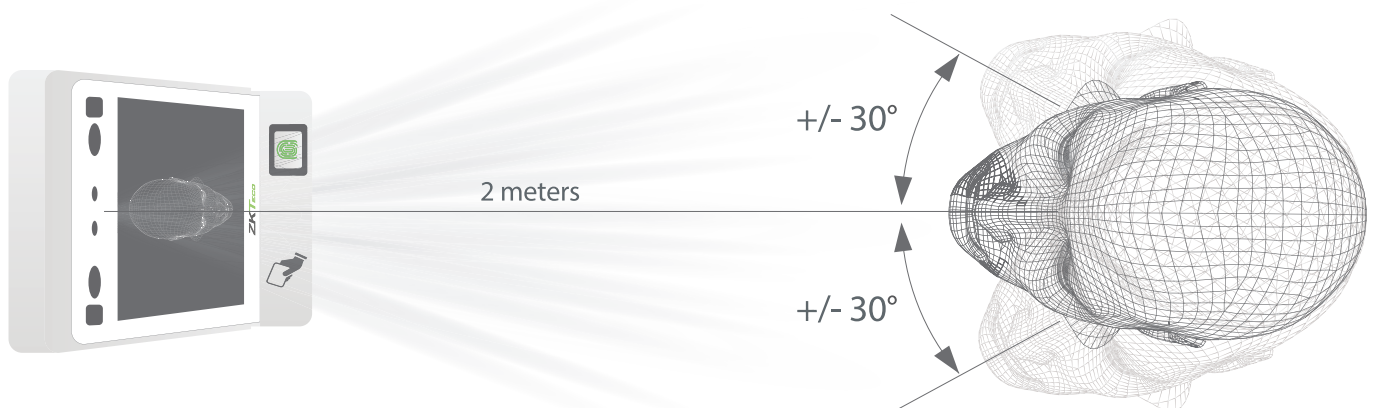
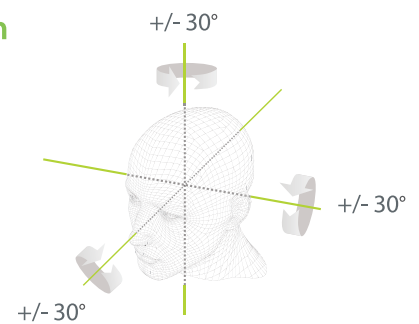


Features

- Visible Light Facial Recognition
- Anti-spoofing algorithm against print attack (laser, color and B/W photos), videos attack and 3D mask attack
- Multiple verification methods: Face / Fingerprint / Card / Password
- Available card modules: 125KHz ID card (EM) / 13.56MHz IC card (MF)
- Supplement lighting with adjustable brightness
- Capacity of 6,000 face templates

2 meters of recognition distance and extra wide angle recognition

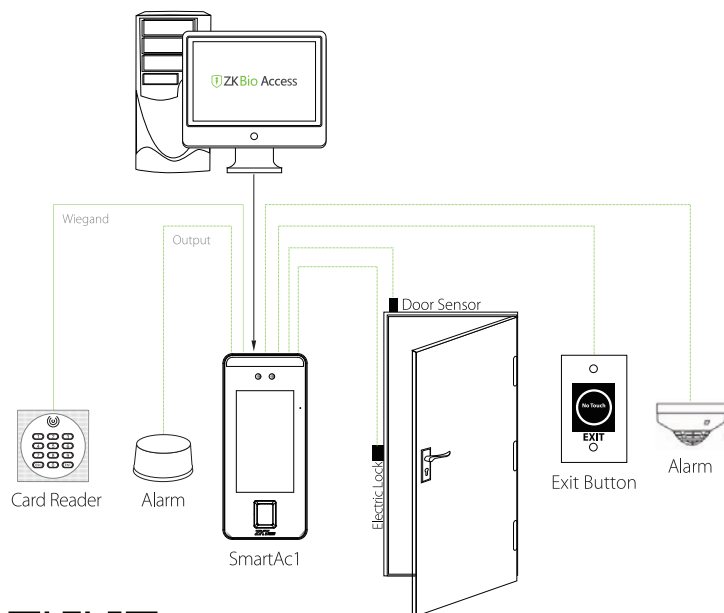
The recognition distance has been greatly extended to 2 meters, which significantly improves maximum traffic rate. While most of the algorithms only support +/-15° of detectable face angle, FaceDepot-7BL doubles the detection angle in terms of head rotation and tilt to +/- 30°.



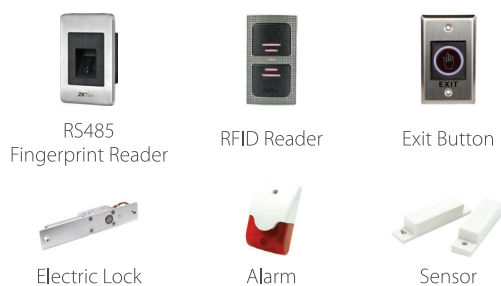
Specifications

Display	5" touchscreen
Face Capacity	6,000
Fingerprint Capacity	6,000 (Standard); 10,000 (Optional)
Card Capacity	10,000
Transactions	200,000
Operation System	Linux
Standard Functions	ID Card, ADMS, T9 Input, DST, Camera, 9-digit User ID, Access Levels, Groups, Holidays, Anti-passback, Record Query, Tamper Switch Alarm, Multiple Verify Modes
Hardware	900MHz Dual Core CPU; 512MB RAM / 8G Flash; 2MP WDR Low Light Camera; Adjustable LED Supplement Lighting
Communication	TCP/IP, WiFi (Optional), Wiegand input/output, RS485
Access Control Interface	3rd Party Electric Lock, Door Sensor, Exit Button, Alarm output, Auxiliary Input
Optional Function	13.56MHz IC Card (MF)
Facial Recognition Speed	≤1s
Biometrics Algorithms	ZKFace V5.8 & ZKFinger V10.0
Power Supply	12V 3A
Working Humidity	20% - 80%
Working Temperature	0 °C - 45 °C
Dimensions (W*H*D)	91.93 * 202.93 * 21.5 (mm)
Supported Software	ZKBioAccess, ZKBioSecurity(Access)

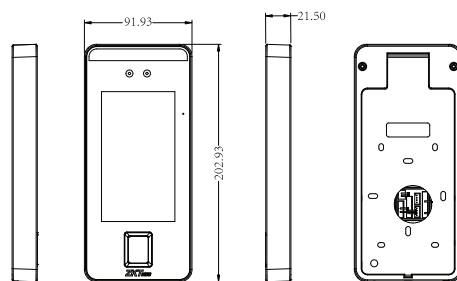
Configuration



Accessories



Dimensions (mm)



V1.1 2020.03.09